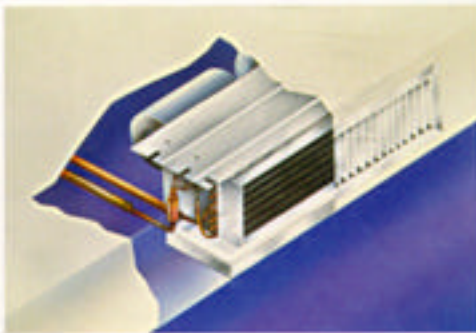


ILLUSION™

Concealed Mini-Split Air Conditioners MCD Series 50 & 60 Hz 12,000 to 36,000 BTUH

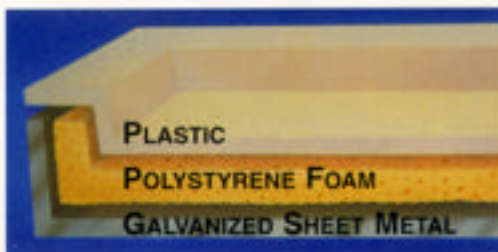
To meet your need for new or retrofit concealed split systems, Trane has developed the latest design for hidden comfort in homes, offices or shops.

The advanced technology of the new ILLUSION line of mini-split air conditioners makes it the ideal solution for new or replacement applications.



COMPACT DESIGN:

At only 10.0 inches (254mm) in height, the new ILLUSION is even more compact for a better fit into tight ceiling applications.



INNOVATIVE DRAIN PAN:

Three layers provide triple protection against condensate leaks. The drain pan is also sloped 5% to eliminate standing water which is prone to contamination.

Dual drain connections provide further protection, by preventing unwanted condensate overflow in the event that one connection becomes blocked.





General Data

Table 1 — Indoor Air Handlers - MCD

MODEL	MCD512D100A MCD512D1E0A ¹ MCD512D1P0A ² MCD512D1S0A ³	MCD518D100A MCD518D1F0A ¹ MCD518D1P0A ² MCD518D1T0A ³	MCD524D100A MCD524D1G0A ¹ MCD524D1P0A ² MCD524D1U0A ³	MCD530D100A MCD530D1H0A ¹ MCD530D1P0A ² MCD530D1V0A ³	MCD536D100A MCD536D1I0A ¹ MCD536D1P0A ² MCD536D1W0A ³
Volts/Ph/Hz	220/1/60	220/1/60	220/1/60	220/1/60	220/1/60
CAPACITY RATING (BTU)	12,000	18,000	24,000	30,000	36,000
INDOOR FAN - Type	Centrifugal	Centrifugal	Centrifugal	Centrifugal	Centrifugal
Dia.-Width (in.)	6 x 8	6 x 8	7 x 9	7 x 9	7 x 9
No. Used	2	2	2	2	2
Drive - Speed (No.)	Direct - 4	Direct - 4	Direct - 4	Direct - 4	Direct - 4
No. Motors - HP	1-1/20	1-1/8	1-1/4	1-1/3	1-1/2
Motor Speed RPM	900/1000/1100/1200	1100/1200/1300/1450	1000/1100/1200/1450	1000/1250/1350/1450	1150/1250/1350/1450
Volt/Ph/Hz	220/1/60	220/1/60	220/1/60	220/1/60	220/1/60
R.L. Amps	0.58	0.81	1.42	1.87	2.07
F.L. Amps	0.7	1.2	2.04	2.59	3.65
ELECTRIC HEATER DATA^{1,3}					
Heater Rating (kW)	2.0	2.5	3.0	4.0	4.0
Heater R.L. Amps.	9.1	11.4	13.6	18.2	20.5
INDOOR COIL - Type	Plate - Slit	Plate - Slit	Plate - Slit	Plate - Slit	Plate - Slit
Row - F.P.I.	2 - 19	2 - 20	3 - 15	3 - 15	3 - 14
Face Area (sq. ft.)	1.67	1.67	1.67	2.00	2.33
Tube Size (in.)	3/8	3/8	3/8	3/8	3/8
Refrigerant Control Type	Capillary	Capillary	Capillary	Capillary	Capillary
Drain Conn. Size (in.)	1/2	1/2	1/2	1/2	1/2
FILTER - Furnished^{2,3}	Yes	Yes	Yes	Yes	Yes
Size (H x W x D)	10 ⁵ / ₈ x 30 ¹ / ₂ x 1	10 ⁵ / ₈ x 30 ¹ / ₂ x 1	10 ⁵ / ₈ x 30 ¹ / ₂ x 1	10 ⁵ / ₈ x 36 ¹ / ₂ x 1	10 ⁵ / ₈ x 42 ¹ / ₂ x 1
REFRIGERANT CONN. - Type	Flare	Flare	Flare	Flare	Flare
Coupling or Line Size - Gas (in.OD)	1/2	1/2	5/8	5/8	3/4
Coupling or Line Size - Liquid (in. OD)	1/4	1/4	3/8	3/8	3/8
DIMENSION	H x W x D	H x W x D	H x W x D	H x W x D	H x W x D
Crated (in.)	12 x 40 x 21	12 x 40 x 21	12 x 40 x 21	12 x 46 x 21	12 x 52 x 21
Crated (in.) ^{2,3}	12 x 38 x 25	12 x 38 x 25	12 x 38 x 25	12 x 44 x 25	12 x 50 x 25
Uncrated			See Outline Drawing		
WEIGHT					
Shipping-Crated (lbs.)	49	53	57	65	72
Shipping-Crated (lbs.) ¹	52	56	60	70	77
Shipping-Crated (lbs.) ²	71	75	79	90	100
Shipping-Crated (lbs.) ³	74	78	82	95	105
Net (lbs.)	44	48	52	58	64
Net (lbs.) ¹	47	51	55	63	69
Net (lbs.) ²	66	70	74	84	93
Net (lbs.) ³	69	73	77	88	97

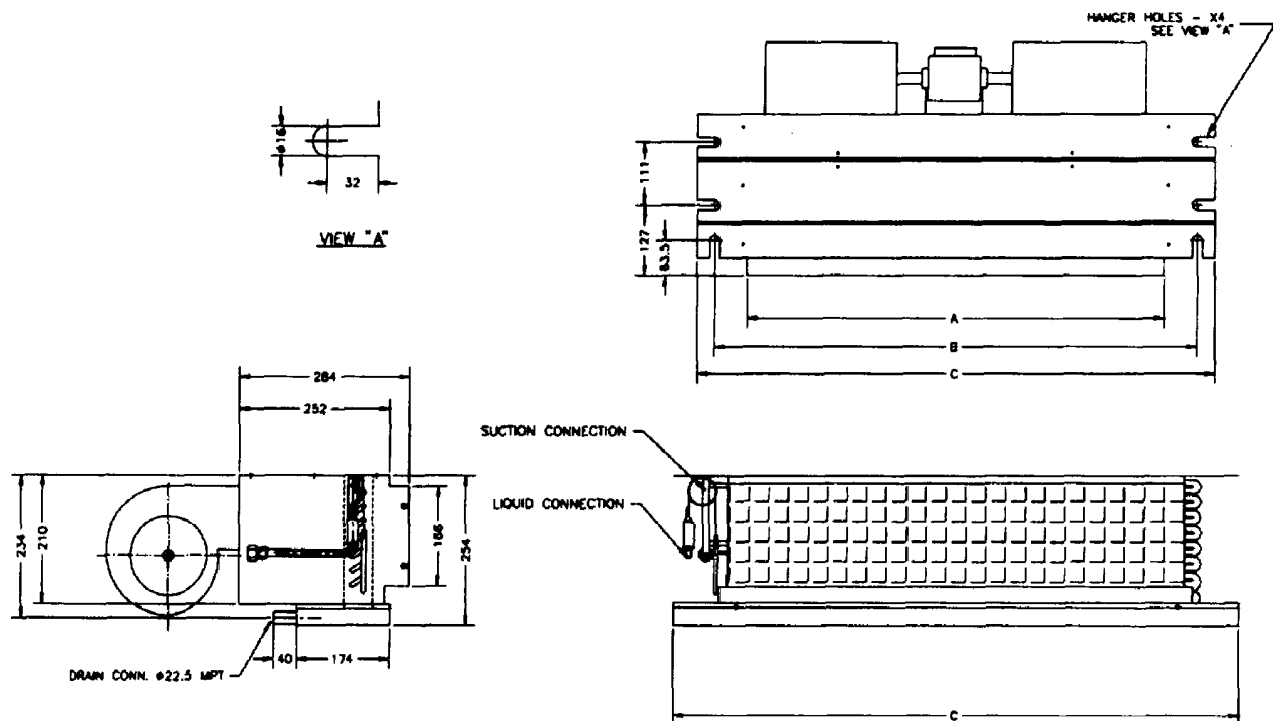
Notes:

¹Model with electric heater has alphabetic letter E F G H or I in the ninth digit.



Dimensional Data

Outline Drawing



External Dimensions and Weights (without plenum)

Model No.	External Dimensions (mm.)			Conn. Sizes		Number Of		Net Weight (lbs)
	A	B	C	Suction	Liquid	Fan (s)	Motor (s)	
MCD 512	762 (30")	882 (34 3/4")	946 (37 1/4")	6.35 (1/4")	12.7 (1/2")	2	1	44
MCD 518	762 (30")	882 (34 3/4")	946 (37 1/4")	6.35 (1/4")	12.7 (1/2")	2	1	48
MCD 524	762 (30")	882 (34 3/4")	946 (37 1/4")	9.52 (3/8")	15.87 (5/8")	2	1	52
MCD 530	914 (36")	1034 (40 1/4")	1098 (43 1/4")	9.52 (3/8")	15.87 (5/8")	2	1	60
MCD 536	1067 (42")	1087 (42 7/8")	1251 (49 1/4")	9.52 (3/8")	19.05 (3/4")	2	1	64



General Data

TTB012C100A

OUTDOOR UNIT ①②	TTB012C100A
POWER CONNS. — V/PH/HZ ③	200/230/1/60
MIN. BRCH. CIR. AMPACITY	11
BR. CIR. } MAX. (AMPS)	15
PROT. RTG. } MIN. (AMPS)	15
NOISE RATING (DECIBELS) ②	82
COMPRESSOR	CLIMATUFF®
NO. USED - NO. SPEEDS	1 - 1
VOLTS/PH/HZ	200/230/1/60
R.L. AMPS ⑦ - L.R. AMPS	8.0 - 45
FACTORY INSTALLED	
START COMPONENTS ⑧	NO
INSULATION/SOUND BLANKET	NO
COMPRESSOR HEAT	NO
OUTDOOR FAN — TYPE	PROPELLER
DIA. (IN.) - NO. USED	13.7 - 1
TYPE DRIVE - NO. SPEEDS	DIRECT - 1
CFM @ 0.0 IN. W.G. ④	1600
NO. MOTORS - HP	1 - 1/6
MOTOR SPEED R.P.M.	1650
VOLTS/PH/HZ	200/230/1/60
F.L. AMPS	0.98
OUTDOOR COIL — TYPE	SPINE FIN™
ROWS - F.P.I.	1 - 24
FACE AREA (SQ. FT.)	6.62
TUBE SIZE (IN.)	3/8
REFRIGERANT	
LBS. — R-22 (O.D. UNIT) ⑤	2 LBS., 8 OZ.
FACTORY SUPPLIED	YES
LINE SIZE - IN. O.D. GAS ⑥	5/8
LINE SIZE - IN. O.D. LIQ. ⑥	1/4
FCCV	
RESTRICTOR ORIFICE SIZE	0.049
DIMENSIONS	
OUTDOOR UNIT - CRATED (IN.)	H X W X D 24-3/4 X 20 X 20
UNCRATED	SEE OUTLINE DWG.
WEIGHT	
SHIPPING (LBS.)	118
NET (LBS.)	112

① CERTIFIED IN ACCORDANCE WITH THE UNITARY AIR-CONDITIONER EQUIPMENT CERTIFICATION PROGRAM, WHICH IS BASED ON A.R.I. STANDARD 210/240.

② RATED IN ACCORDANCE WITH A.R.I. STANDARD 270.



SPLIT SYSTEM

- ③ CALCULATED IN ACCORDANCE WITH NATIONAL ELECTRIC CODE. ONLY USE HACR CIRCUIT BREAKERS OR FUSES.
- ④ STANDARD AIR - DRY COIL - OUTDOOR
- ⑤ THIS VALUE APPROXIMATE. FOR MORE PRECISE VALUE SEE UNIT NAMEPLATE AND SERVICE INSTRUCTION.
- ⑥ MAX. LINEAR LENGTH: 80 FT WITH RECIPROCATING COMPRESSOR - 60 FT WITH SCROLL. MAX. LIFT - SUCTION 60 FT; MAX LIFT - LIQUID 60 FT. FOR GREATER LENGTH REFER TO REFRIGERANT PIPING SOFTWARE PUB. NO. 32-3312-01.
- ⑦ THE VALUE SHOWN FOR COMPRESSOR RLA ON THE UNIT NAMEPLATE AND ON THIS SPECIFICATION SHEET IS USED TO COMPUTE MINIMUM BRANCH CIRCUIT AMPACITY AND MAXIMUM FUSE SIZE. THE VALUE SHOWN IS THE BRANCH CIRCUIT SELECTION CURRENT.
- ⑧ NO MEANS NO START COMPONENTS
YES MEANS QUICK START KIT COMPONENTS
PTC MEANS POSITIVE TEMPERATURE COEFFICIENT STARTER.



CONDENSING UNIT WITH COOLING COILS

	CCBA18A4AC	CUBA18A4AC	TXA018C4	TXA024C4	TXA025C4	TXC018C4	TXC024C4
EXPANSION TYPE	FIXED ORIFICE	FIXED ORIFICE	FACT INS 49	CHG TO 49	CHG TO 49	FACT INS 49	CHG TO 49
RATINGS (COOLING) ①							
BTUH (TOTAL)	15800	15800	14800	14400	14700	14800	14400
BTUH (SENSIBLE)	10000	10000	9600	9200	9600	9600	9200
INDOOR AIRFLOW (CFM)	450	450	525	450	450	525	450
SYSTEM POWER (KW)	1.73	1.73	1.61	1.55	1.56	1.61	1.55
SEER (BTU/WAT-FHR.)	10.00	10.00	10.00	10.00	10.05	10.00	10.00

	TXC024D4	TXC025C4	TXC025D4	TXH025A4
EXPANSION TYPE	CHG TO 49	CHG TO 49	CHG TO 49	CHG TO 49
RATINGS (COOLING) ①				
BTUH (TOTAL)	14400	14700	14700	16200
BTUH (SENSIBLE)	9200	9600	9600	10300
INDOOR AIRFLOW (CFM)	450	450	450	450
SYSTEM POWER (KW)	1.55	1.56	1.56	1.74
SEER (BTU/WAT-FHR.)	10.00	10.05	10.05	10.00

CONDENSING UNIT WITH AIR HANDLERS

	TVF018A14	TVF025A14	TWE018C14	TWE024C14	TWG018A14	TWG025A14
EXPANSION TYPE	FACT INS 49	CHG TO 49	FACT INS 49	CHG TO 49	FACT INS 49	CHG TO 49
RATINGS (COOLING) ①						
BTUH (TOTAL)	15100	14900	14600	14400	14500	14200
BTUH (SENSIBLE)	10100	9900	9300	9200	9400	9300
INDOOR AIRFLOW (CFM)	450	450	450	450	450	450
SYSTEM POWER (KW)	1.56	1.62	1.56	1.55	1.56	1.49
SEER (BTU/WAT-FHR.)	10.50	10.00	10.20	10.20	10.00	10.00

*See page 21 for combinations with Auxiliary Devices.



General Data

TTB018C100A

OUTDOOR UNIT ①②	TTB018C100A
POWER CONNS. — V/PH/Hz ③	200/230/1/60
MIN. BRCH. CIR. AMPACITY	11
BR. CIR. } MAX. (AMPS)	15
PROT. RTG. } MIN. (AMPS)	15
NOISE RATING (DECIBELS) ②	82
COMPRESSOR	CLIMATUFF®
NO. USED - NO. SPEEDS	1 - 1
VOLTS/PH/Hz	200/230/1/60
R.L. AMPS ⑦ - L.R. AMPS	8.0 - 45
FACTORY INSTALLED	
START COMPONENTS ⑧	NO
INSULATION/SOUND BLANKET	NO
COMPRESSOR HEAT	NO
OUTDOOR FAN — TYPE	PROPELLER
DIA. (IN.) - NO. USED	13.7 - 1
TYPE DRIVE - NO. SPEEDS	DIRECT - 1
CFM @ 0.0 IN. W.G. ④	1600
NO. MOTORS - HP	1 - 1/6
MOTOR SPEED R.P.M.	1650
VOLTS/PH/Hz	200/230/1/60
F.L. AMPS	0.98
OUTDOOR COIL — TYPE	SPINE FIN™
ROWS - F.P.I.	1 - 24
FACE AREA (SQ. FT.)	6.62
TUBE SIZE (IN.)	3/8
REFRIGERANT	
LBS. — R-22 (O.D. UNIT) ⑤	2 LBS., 15 OZ.
FACTORY SUPPLIED	YES
LINE SIZE - IN. O.D. GAS ⑥	5/8
LINE SIZE - IN. O.D. LIQ. ⑥	1/4
FCCV	
RESTRICTOR ORIFICE SIZE	0.049
DIMENSIONS	
OUTDOOR UNIT - CRATED (IN.)	H X W X D 24 3/4 X 20 X 20
UNCRATED	SEE OUTLINE DWG.
WEIGHT	
SHIPPING (LBS.)	118
NET (LBS.)	112

① CERTIFIED IN ACCORDANCE WITH THE UNITARY AIR-CONDITIONER EQUIPMENT CERTIFICATION PROGRAM, WHICH IS BASED ON A.R.I. STANDARD 210/240.

② RATED IN ACCORDANCE WITH A.R.I. STANDARD 270.



SPLIT SYSTEM

- ③ CALCULATED IN ACCORDANCE WITH NATIONAL ELECTRIC CODE. ONLY USE HACR CIRCUIT BREAKERS OR FUSES.
- ④ STANDARD AIR - DRY COIL - OUTDOOR
- ⑤ THIS VALUE APPROXIMATE. FOR MORE PRECISE VALUE SEE UNIT NAMEPLATE AND SERVICE INSTRUCTION.
- ⑥ MAX. LINEAR LENGTH: 80 FT WITH RECIPROCATING COMPRESSOR - 60 FT WITH SCROLL. MAX. LIFT - SUCTION 60 FT; MAX LIFT - LIQUID 60 FT. FOR GREATER LENGTH REFER TO REFRIGERANT PIPING SOFTWARE PUB. NO. 32-3312-01.
- ⑦ THE VALUE SHOWN FOR COMPRESSOR RLA ON THE UNIT NAMEPLATE AND ON THIS SPECIFICATION SHEET IS USED TO COMPUTE MINIMUM BRANCH CIRCUIT AMPACITY AND MAXIMUM FUSE SIZE. THE VALUE SHOWN IS THE BRANCH CIRCUIT SELECTION CURRENT.
- ⑧ NO MEANS NO START COMPONENTS
YES MEANS QUICK START KIT COMPONENTS
PTC MEANS POSITIVE TEMPERATURE COEFFICIENT STARTER.



CONDENSING UNIT WITH COOLING COILS

	CCBA18A4AC	CCBA24A4AC	CUBA18A4AC	CUBA24A4AC	CUBB24A4AC	TXA018C4	TXA024C4
EXPANSION TYPE	FIXED ORIFICE	FIXED ORIFICE	FIXED ORIFICE	FIXED ORIFICE	FIXED ORIFICE	FACT INS 49	CHG TO 49
RATINGS (COOLING) ①							
BTUH (TOTAL)	16600	16600	16600	16600	16600	17000	16800
BTUH (SENSIBLE)	11100	11500	11100	11500	11500	11400	11600
INDOOR AIRFLOW (CFM)	600	620	600	620	620	600	630
SYSTEM POWER (KW)	1.80	1.79	1.80	1.79	1.79	1.82	1.81
SEER (BTU/WAT·HR.)	10.00	10.10	10.00	10.10	10.10	10.00	10.05

	TXA025C4	TXC018C4	TXC024C4	TXC024D4	TXC025C4	TXC025D4	TXH025A4
EXPANSION TYPE	CHG TO 49	FACT INS 49	CHG TO 49	CHG TO 49	CHG TO 49	CHG TO 49	CHG TO 49
RATINGS (COOLING) ①							
BTUH (TOTAL)	17100	16600	16800	16800	17100	17100	17200
BTUH (SENSIBLE)	12700	11100	11600	11600	12700	12700	11900
INDOOR AIRFLOW (CFM)	640	600	630	630	640	640	640
SYSTEM POWER (KW)	1.83	1.80	1.81	1.81	1.83	1.83	1.85
SEER (BTU/WAT·HR.)	10.00	10.00	10.05	10.05	10.00	10.00	10.00

CONDENSING UNIT WITH AIR HANDLERS

	TVF018A14	TVF024A14	TVF025A14	TWE018C14	TWE024C14	TWG018A14	TWG025A14
EXPANSION TYPE	FACT INS 49	CHG TO 49	CHG TO 49	FACT INS 49	CHG TO 49	FACT INS 49	CHG TO 49
RATINGS (COOLING) ①							
BTUH (TOTAL)	17300	17400	17500	17100	16800	16500	16600
BTUH (SENSIBLE)	12700	13300	13400	11600	11600	11400	12100
INDOOR AIRFLOW (CFM)	600	650	655	600	625	600	620
SYSTEM POWER (KW)	1.78	1.86	1.83	1.77	1.79	1.77	1.74
SEER (BTU/WAT·HR.)	10.40	10.15	10.40	10.00	10.00	10.00	10.00

*See page 21 for combinations with Auxiliary Devices.

General Data

TTB024C100A

OUTDOOR UNIT ①②	TTB024C100A
POWER CONNS. — V/PH/HZ ③	208/230/1/60
MIN. BRCH. CIR. AMPACITY	15
BR. CIR. } MAX. (AMPS)	25
PROT. RTG. } MIN. (AMPS)	20
NOISE RATING (DECIBELS) ②	80
COMPRESSOR	CLIMATUFF®
NO. USED - NO. SPEEDS	1 - 1
VOLTS/PH/HZ	200/230/1/60
R.L. AMPS ⑦ - L.R. AMPS	11.6 - 60
FACTORY INSTALLED	
START COMPONENTS ⑧	NO
INSULATION/SOUND BLANKET	NO
COMPRESSOR HEAT	NO
OUTDOOR FAN — TYPE	PROPELLER
DIA. (IN.) - NO. USED	13.7 - 1
TYPE DRIVE - NO. SPEEDS	DIRECT - 1
CFM @ 0.0 IN. W.G. ④	1550
NO. MOTORS - HP	1 - 1/6
MOTOR SPEED R.P.M.	1650
VOLTS/PH/HZ	200/230/1/60
F.L. AMPS	0.98
OUTDOOR COIL — TYPE	SPINE FIN™
ROWS - F.P.I.	1 - 24
FACE AREA (SQ. FT.)	6.62
TUBE SIZE (IN.)	3/8
REFRIGERANT	
LBS. — R-22 (O.D. UNIT) ⑤	3 LBS., 6 OZ.
FACTORY SUPPLIED	YES
LINE SIZE - IN. O.D. GAS ⑥	3/4
LINE SIZE - IN. O.D. LIQ. ⑥	5/16
FCCV	
RESTRICTOR ORIFICE SIZE	0.057
DIMENSIONS	
OUTDOOR UNIT - CRATED (IN.)	H X W X D 24-3/4 X 20 X 20
UNCRATED	SEE OUTLINE DWG.
WEIGHT	
SHIPPING (LBS.)	130
NET (LBS.)	125

① CERTIFIED IN ACCORDANCE WITH THE UNITARY AIR-CONDITIONER EQUIPMENT CERTIFICATION PROGRAM, WHICH IS BASED ON A.R.I. STANDARD 210/240.

② RATED IN ACCORDANCE WITH A.R.I. STANDARD 270.



SPLIT SYSTEM

- ③ CALCULATED IN ACCORDANCE WITH NATIONAL ELECTRIC CODE. ONLY USE HACR CIRCUIT BREAKERS OR FUSES.
- ④ STANDARD AIR - DRY COIL - OUTDOOR
- ⑤ THIS VALUE APPROXIMATE. FOR MORE PRECISE VALUE SEE UNIT NAMEPLATE AND SERVICE INSTRUCTION.
- ⑥ MAX. LINEAR LENGTH: 80 FT WITH RECIPROCATING COMPRESSOR - 60 FT WITH SCROLL. MAX. LIFT - SUCTION 60 FT; MAX LIFT - LIQUID 60 FT. FOR GREATER LENGTH REFER TO REFRIGERANT PIPING SOFTWARE PUB. NO. 32-3312-01.
- ⑦ THE VALUE SHOWN FOR COMPRESSOR RLA ON THE UNIT NAMEPLATE AND ON THIS SPECIFICATION SHEET IS USED TO COMPUTE MINIMUM BRANCH CIRCUIT AMPACITY AND MAXIMUM FUSE SIZE. THE VALUE SHOWN IS THE BRANCH CIRCUIT SELECTION CURRENT.
- ⑧ NO MEANS NO START COMPONENTS
YES MEANS QUICK START KIT COMPONENTS
PTC MEANS POSITIVE TEMPERATURE COEFFICIENT STARTER.



CONDENSING UNIT WITH COOLING COILS

	CCBA24A4AC	CCBA30A4AC	CCBB30A4AC	CUBA24A4AC	CUBA30A4AC	CUBB24A4AC	CUBB30A4AC
EXPANSION TYPE	FIXED ORIFICE	FIXED ORIFICE	FIXED ORIFICE	FIXED ORIFICE	FIXED ORIFICE	FIXED ORIFICE	FIXED ORIFICE
RATINGS (COOLING) ①							
BTUH (TOTAL)	22000	21200	22000	22000	21200	22000	22000
BTUH (SENSIBLE)	14900	14500	16300	14900	14500	14900	16300
INDOOR AIRFLOW (CFM)	800	775	800	800	775	800	800
SYSTEM POWER (KW)	2.40	2.36	2.39	2.40	2.36	2.40	2.39
SEER (BTU/WAT·HR.)	10.00	10.00	10.00	10.00	10.00	10.00	10.00

	TXA024C4	TXA025C4	TXA030C4	TXA031C4	TXA035C4	TXA036C4	TXA037C4
EXPANSION TYPE	FACT INS 57	FACT INS 57	CHG TO 57	CHG TO 57	CHG TO 57	CHG TO 57	CHG TO 57
RATINGS (COOLING) ①							
BTUH (TOTAL)	22200	21800	22200	22400	22000	22800	22800
BTUH (SENSIBLE)	15000	15500	15500	16400	15200	16900	16900
INDOOR AIRFLOW (CFM)	800	800	825	835	825	850	850
SYSTEM POWER (KW)	2.44	2.37	2.40	2.41	2.37	2.43	2.43
SEER (BTU/WAT·HR.)	10.00	10.00	10.00	10.00	10.00	10.00	10.00

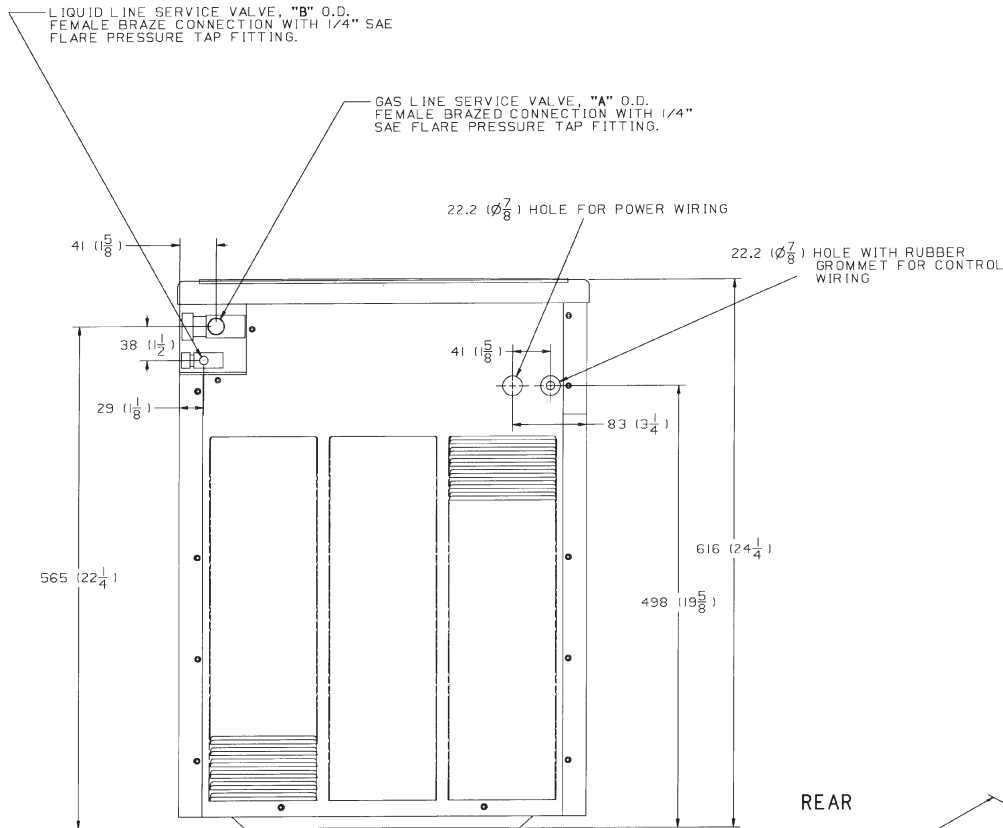
	TXC024C4	TXC024D4	TXC025C4	TXC025D4	TXC030C4	TXC030D4	TXC031C4
EXPANSION TYPE	FACT INS 57	FACT INS 57	FACT INS 57	FACT INS 57	CHG TO 57	CHG TO 57	CHG TO 57
RATINGS (COOLING) ①							
BTUH (TOTAL)	21400	21400	21800	21800	22200	22200	22400
BTUH (SENSIBLE)	14500	14500	15500	15500	15500	15500	16400
INDOOR AIRFLOW (CFM)	800	800	800	800	825	825	835
SYSTEM POWER (KW)	2.34	2.34	2.37	2.37	2.40	2.40	2.41
SEER (BTU/WAT·HR.)	10.00	10.00	10.00	10.00	10.00	10.00	10.00

*See page 21 for combinations with Auxiliary Devices.

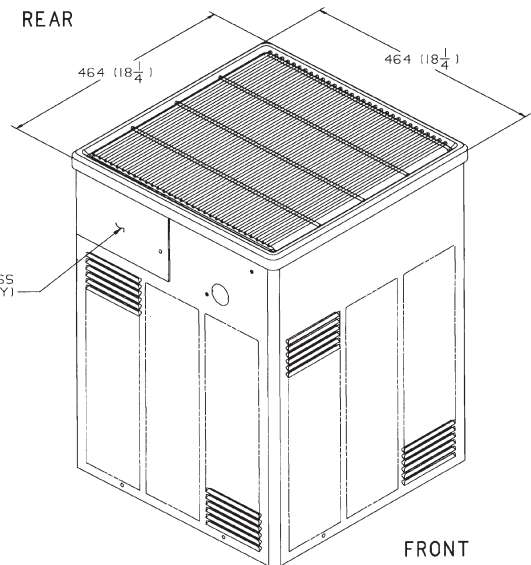
Dimensions

TTB012-024 OUTLINE DRAWING

NOTE: ALL DIMENSIONS ARE IN MM (INCHES)



REAR VIEW



MODEL	A	B
TTB012C	5/8	1/4
TTB018C	5/8	1/4
TTB024C	3/4	5/16

NOTE: TABLE IN INCHES ONLY.



General Data

TTB030C100A

OUTDOOR UNIT ①②	TTB030C100A
POWER CONNS. — V/PH/Hz ③	200/230/1/60
MIN. BRCH. CIR. AMPACITY	18
BR. CIR. } MAX. (AMPS)	30
PROT. RTG. } MIN. (AMPS)	30
NOISE RATING (DECIBELS) ②	78
COMPRESSOR	CLIMATUFF®
NO. USED - NO. SPEEDS	1 - 1
VOLTS/PH/Hz	200/230/1/60
R.L. AMPS ⑦ - L.R. AMPS	13.0 - 75
FACTORY INSTALLED	
START COMPONENTS ⑧	NO
INSULATION/SOUND BLANKET	NO
COMPRESSOR HEAT	NO
OUTDOOR FAN — TYPE	PROPELLER
DIA. (IN.) - NO. USED	18 - 1
TYPE DRIVE - NO. SPEEDS	DIRECT - 1
CFM @ 0.0 IN. W.G. ④	2450
NO. MOTORS - HP	1 - 1/4
MOTOR SPEED R.P.M.	1075
VOLTS/PH/Hz	200/230/1/60
F.L. AMPS	1.30
OUTDOOR COIL — TYPE	SPINE FIN™
ROWS - F.P.I.	1 - 24
FACE AREA (SQ. FT.)	10.96
TUBE SIZE (IN.)	3/8
REFRIGERANT	
LBS. — R-22 (O.D. UNIT) ⑤	4 LBS., 2 OZ.
FACTORY SUPPLIED	YES
LINE SIZE - IN. O.D. GAS ⑥	3/4
LINE SIZE - IN. O.D. LIQ. ⑥	5/16
FCCV	
RESTRICTOR ORIFICE SIZE	0.065
DIMENSIONS	H X W X D
OUTDOOR UNIT - CRATED (IN.)	27-3/8 X 26-7/8 X 26-7/8
UNCRATED	SEE OUTLINE DWG.
WEIGHT	
SHIPPING (LBS.)	180
NET (LBS.)	166

① CERTIFIED IN ACCORDANCE WITH THE UNITARY AIR-CONDITIONER EQUIPMENT CERTIFICATION PROGRAM, WHICH IS BASED ON A.R.I. STANDARD 210/240.

② RATED IN ACCORDANCE WITH A.R.I. STANDARD 270.



SPLIT SYSTEM

③ CALCULATED IN ACCORDANCE WITH NATIONAL ELECTRIC CODE. ONLY USE HACR CIRCUIT BREAKERS OR FUSES.

④ STANDARD AIR - DRY COIL - OUTDOOR

⑤ THIS VALUE APPROXIMATE. FOR MORE PRECISE VALUE SEE UNIT NAMEPLATE AND SERVICE INSTRUCTION.

⑥ MAX. LINEAR LENGTH: 80 FT WITH RECIPROCATING COMPRESSOR - 60 FT WITH SCROLL. MAX. LIFT - SUCTION 60 FT; MAX LIFT - LIQUID 60 FT. FOR GREATER LENGTH REFER TO REFRIGERANT PIPING SOFTWARE PUB. NO. 32-3312-01.

⑦ THE VALUE SHOWN FOR COMPRESSOR RLA ON THE UNIT NAMEPLATE AND ON THIS SPECIFICATION SHEET IS USED TO COMPUTE MINIMUM BRANCH CIRCUIT AMPACITY AND MAXIMUM FUSE SIZE. THE VALUE SHOWN IS THE BRANCH CIRCUIT SELECTION CURRENT.

⑧ NO MEANS NO START COMPONENTS
YES MEANS QUICK START KIT COMPONENTS
PTC MEANS POSITIVE TEMPERATURE COEFFICIENT STARTER.



CONDENSING UNIT WITH COOLING COILS

	CCBA30A44C	CCBA36A44C	CCBB30A44C	CCBB36A44C	CUBA30A44C	CUBA36A44C	CUBB30A44C
EXPANSION TYPE	FIXED ORIFICE	FIXED ORIFICE	FIXED ORIFICE	FIXED ORIFICE	FIXED ORIFICE	FIXED ORIFICE	FIXED ORIFICE
RATINGS (COOLING) ①							
BTUH (TOTAL)	26600	27400	27800	27600	26600	27400	27800
BTUH (SENSIBLE)	17300	18600	19500	19800	17300	18600	19500
INDOOR AIRFLOW (CFM)	950	1025	1000	1035	950	1025	1000
SYSTEM POWER (KW)	2.89	2.96	2.96	2.97	2.89	2.96	2.96
SEER (BTU/WAT-FHR.)	10.00	10.00	10.05	10.00	10.00	10.00	10.05

	CUBB36A44C	CUBC36A44C	TXA024C4	TXA025C4	TXA030C4	TXA031C4	TXA035C4
EXPANSION TYPE	FIXED ORIFICE	FIXED ORIFICE	CHG TO 65	CHG TO 65	CHG TO 65	CHG TO 65	CHG TO 65
RATINGS (COOLING) ①							
BTUH (TOTAL)	27600	27600	26600	27000	27800	28200	28200
BTUH (SENSIBLE)	19800	19800	17100	18100	18500	19700	19300
INDOOR AIRFLOW (CFM)	1035	1035	900	900	1000	1000	1055
SYSTEM POWER (KW)	2.97	2.97	2.88	2.89	2.97	3.08	3.03
SEER (BTU/WAT-FHR.)	10.00	10.00	10.00	10.00	10.05	10.00	10.00

	TXA036C4	TXA037C4	TXA042C4	TXA043C4	TXC024C4	TXC024D4	TXC025C4
EXPANSION TYPE	CHG TO 65	CHG TO 65	CHG TO 65	CHG TO 65	CHG TO 65	CHG TO 65	CHG TO 65
RATINGS (COOLING) ①							
BTUH (TOTAL)	29000	29000	29200	29200	26600	26600	27000
BTUH (SENSIBLE)	21200	21200	21400	21400	17100	17100	18100
INDOOR AIRFLOW (CFM)	1085	1085	1095	1095	900	900	900
SYSTEM POWER (KW)	3.07	3.07	3.07	3.07	2.88	2.88	2.89
SEER (BTU/WAT-FHR.)	10.05	10.05	10.10	10.10	10.00	10.00	10.00

*See pages 21 and 22 for combinations with Auxiliary Devices.



General Data

TTB036C100A

OUTDOOR UNIT ①②	TTB036C100A
POWER CONNS. — V/PH/Hz ③	200/230/1/60
MIN. BRCH. CIR. AMPACITY	22
BR. CIR. } MAX. (AMPS)	35
PROT. RTG. } MIN. (AMPS)	35
NOISE RATING (DECIBELS) ②	78
COMPRESSOR	CLIMATUFF®
NO. USED - NO. SPEEDS	1 - 1
VOLTS/PH/Hz	200/230/1/60
R.L. AMPS ⑦ - L.R. AMPS	16.0 - 88
FACTORY INSTALLED	
START COMPONENTS ⑧	NO
INSULATION/SOUND BLANKET	NO
COMPRESSOR HEAT	NO
OUTDOOR FAN — TYPE	PROPELLER
DIA. (IN.) - NO. USED	18 - 1
TYPE DRIVE - NO. SPEEDS	DIRECT - 1
CFM @ 0.0 IN. W.G. ④	3000
NO. MOTORS - HP	1 - 1/4
MOTOR SPEED R.P.M.	1075
VOLTS/PH/Hz	200/230/1/60
F.L. AMPS	1.30
OUTDOOR COIL — TYPE	SPINE FIN™
ROWS - F.P.I.	1 - 24
FACE AREA (SQ. FT.)	14.93
TUBE SIZE (IN.)	3/8
REFRIGERANT	
LBS. — R-22 (O.D. UNIT) ⑤	5 LBS., 10 OZ.
FACTORY SUPPLIED	YES
LINE SIZE - IN. O.D. GAS ⑥	7/8
LINE SIZE - IN. O.D. LIQ. ⑥	3/8
FCCV	
RESTRICTOR ORIFICE SIZE	0.071
DIMENSIONS	H X W X D
OUTDOOR UNIT - CRATED (IN.)	34-3/8 X 26-7/8 X 26-7/8
UNCRATED	SEE OUTLINE DWG.
WEIGHT	
SHIPPING (LBS.)	188
NET (LBS.)	174

① CERTIFIED IN ACCORDANCE WITH THE UNITARY AIR-CONDITIONER EQUIPMENT CERTIFICATION PROGRAM, WHICH IS BASED ON A.R.I. STANDARD 210/240.

② RATED IN ACCORDANCE WITH A.R.I. STANDARD 270.



SPLIT SYSTEM

- ③ CALCULATED IN ACCORDANCE WITH NATIONAL ELECTRIC CODE. ONLY USE HACR CIRCUIT BREAKERS OR FUSES.
- ④ STANDARD AIR - DRY COIL - OUTDOOR
- ⑤ THIS VALUE APPROXIMATE. FOR MORE PRECISE VALUE SEE UNIT NAMEPLATE AND SERVICE INSTRUCTION.
- ⑥ MAX. LINEAR LENGTH: 80 FT WITH RECIPROCATING COMPRESSOR - 60 FT WITH SCROLL. MAX. LIFT - SUCTION 60 FT; MAX LIFT - LIQUID 60 FT. FOR GREATER LENGTH REFER TO REFRIGERANT PIPING SOFTWARE PUB. NO. 32-3312-01.
- ⑦ THE VALUE SHOWN FOR COMPRESSOR RLA ON THE UNIT NAMEPLATE AND ON THIS SPECIFICATION SHEET IS USED TO COMPUTE MINIMUM BRANCH CIRCUIT AMPACITY AND MAXIMUM FUSE SIZE. THE VALUE SHOWN IS THE BRANCH CIRCUIT SELECTION CURRENT.
- ⑧ NO MEANS NO START COMPONENTS
YES MEANS QUICK START KIT COMPONENTS
PTC MEANS POSITIVE TEMPERATURE COEFFICIENT STARTER.



CONDENSING UNIT WITH COOLING COILS

	CCBA36A4AC	CCBB36A4AC	CCBB42A4AC	CUBA36A4AC	CUBB36A4AC	CUBB42A4AC	CUBC36A4AC
EXPANSION TYPE	FIXED ORIFICE	FIXED ORIFICE	FIXED ORIFICE	FIXED ORIFICE	FIXED ORIFICE	FIXED ORIFICE	FIXED ORIFICE
RATINGS (COOLING) ①							
BTUH (TOTAL)	31600	31800	32000	31600	31800	32000	31800
BTUH (SENSIBLE)	20500	21400	22600	20500	21400	22600	21400
INDOOR AIRFLOW (CFM)	1100	1100	1200	1100	1100	1200	1100
SYSTEM POWER (KW)	3.31	3.31	3.35	3.31	3.31	3.35	3.31
SEER (BTU/WAT-FHR.)	10.00	10.00	10.00	10.00	10.00	10.00	10.00

	CUBC42A4AC	TXA030C4	TXA031C4	TXA035C4	TXA036C4	TXA037C4	TXA042C4
EXPANSION TYPE	FIXED ORIFICE	CHG TO 71	CHG TO 71	FACT INS 71	FACT INS 71	FACT INS 71	CHG TO 71
RATINGS (COOLING) ①							
BTUH (TOTAL)	32000	31600	31800	31600	34000	34000	33400
BTUH (SENSIBLE)	22600	20500	21400	20500	23700	23700	23600
INDOOR AIRFLOW (CFM)	1200	1100	1100	1100	1200	1200	1250
SYSTEM POWER (KW)	3.35	3.31	3.31	3.31	3.51	3.51	3.44
SEER (BTU/WAT-FHR.)	10.00	10.00	10.00	10.00	10.00	10.00	10.00

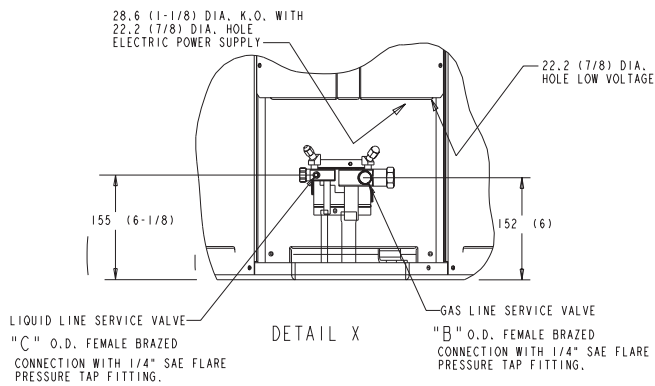
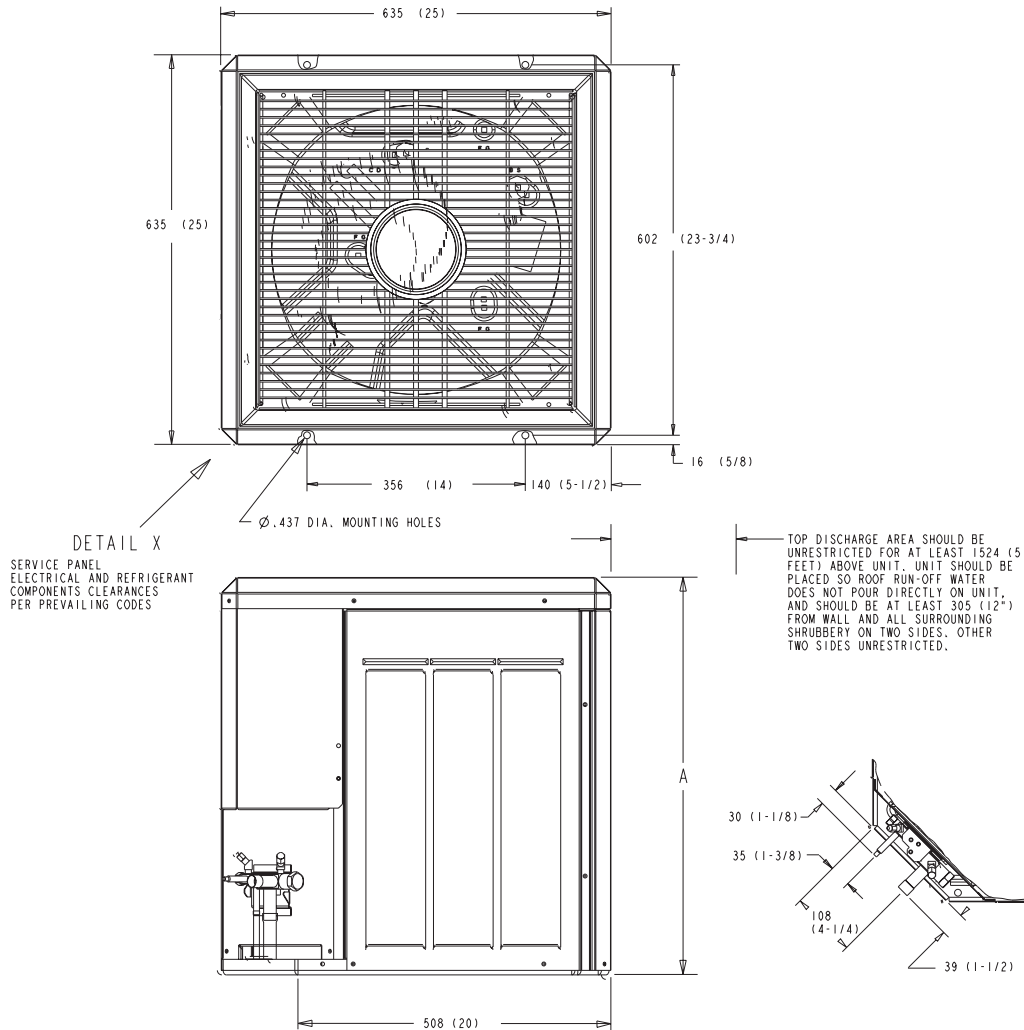
	TXA043C4	TXA048C4	TXA049C4	TXA050C4	TXC030C4	TXC030D4	TXC031C4
EXPANSION TYPE	CHG TO 71	CHG TO 71	CHG TO 71	CHG TO 71	CHG TO 71	CHG TO 71	CHG TO 71
RATINGS (COOLING) ①							
BTUH (TOTAL)	33600	34200	34200	34200	31600	31600	31800
BTUH (SENSIBLE)	24300	25200	25200	25200	20500	20500	21400
INDOOR AIRFLOW (CFM)	1260	1280	1280	1280	1100	1100	1100
SYSTEM POWER (KW)	3.48	3.51	3.51	3.51	3.31	3.31	3.31
SEER (BTU/WAT-FHR.)	10.00	10.00	10.00	10.00	10.00	10.00	10.00

*See page 22 for combinations with Auxiliary Devices.

Dimensions

TTB030-048 OUTLINE DRAWING

NOTE: ALL DIMENSIONS ARE IN MM (INCHES)



MODEL	A	B	C
TTB030C	648 (25 1/2)	3/4	5/16
TTB036C	826 (32 1/2)	7/8	3/8
TTB042D	826 (32 1/2)	7/8	3/8
TTB048D	826 (32 1/2)	1 1/8	3/8