

4

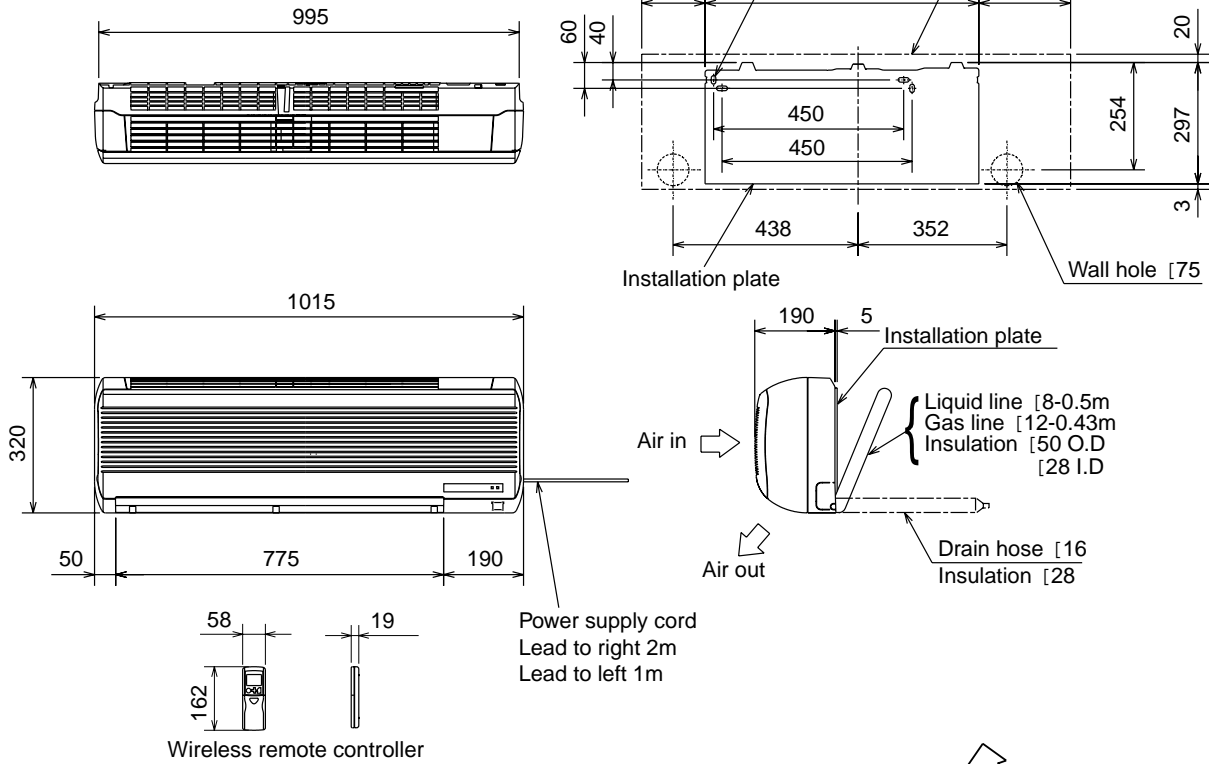
OUTLINES AND DIMENSIONS

Unit: mm

MSH-18TN -S1

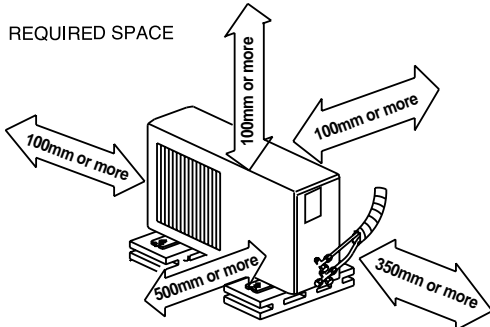
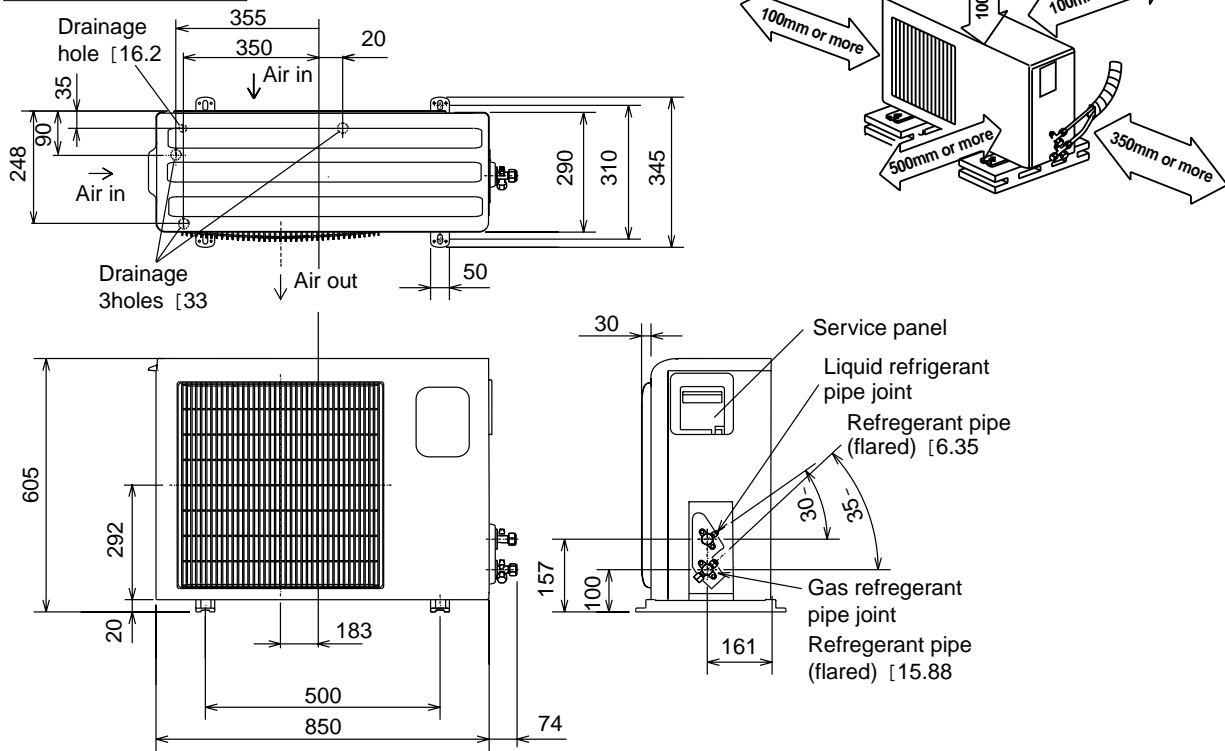
MSH-24TN -S1

INDOOR UNIT



MUH-18TN -S1

OUTDOOR UNIT



3

SPECIFICATION

Model	MSH-18TN - [S1]	
Function	Cooling	Heating
Power supply	Single phase, 220V, 60Hz	

SSA 385/386 w

Capacity		kW	4.2	5.5
		kcal/h	3,600	4,700
Electrical data	Current	A	12.3	9.7
	Input	W	2,650	2,100

JIS C 9612 (ISO 5151)

Capacity	Capacity	kW	5.1	5.5
	Dehumidification	ℓ/h	2.5	—
	Air flow	ℓ/h	780	
Electrical data	Current	A	10.0	9.7
	Input	W	2,150	2,100
	Power factor	%	98	
	Starting current	A	55	
	Compressor motor current	A	9.25	8.95
	Indoor fan motor current	A	0.26	
	Outdoor fan motor current	A	0.49	
Coefficient of performance (COP)			2.37	2.62

Compressor	Model		—	NH-30NCDT
	Output		W	1,300
Dimensions	Indoor unit	Width	mm(in.)	1,015(39-15/16)
		Height	mm(in.)	320(12-5/8)
		Depth	mm(in.)	190(7-1/2)
	Outdoor unit	Width	mm(in.)	850(33-7/16)
		Height	mm(in.)	605(23-13/16)
		Depth	mm(in.)	290(11-7/16)
Weight	Indoor unit		kg(lb.)	14(31)
	Outdoor unit		kg(lb.)	58(128)
Special remarks	Air direction	Indoor unit	—	5
	Fan speed (High)	Indoor unit	rpm	1,180
		Outdoor unit	rpm	865
	Fan speed regulator	Indoor unit		3
		Outdoor unit		1
Refrigerant filling capacity (R22)			kg(lb.)	1.90(4.19)

Rating conditions : SSA 385/386 Cooling -Indoor DB29 : WB19 : , Outdoor DB46 : WB24 :
 Heating -Indoor DB21 : WB — , Outdoor DB 7 : WB 6 :
 JIS C 9612 Cooling -Indoor DB27 : WB19 : , Outdoor DB35 : WB(24 :)
 Heating -Indoor DB20 : WB — , Outdoor DB 7 : WB 6 :

w SSA 385/386 can be applied only to Saudi Arabia.