

4

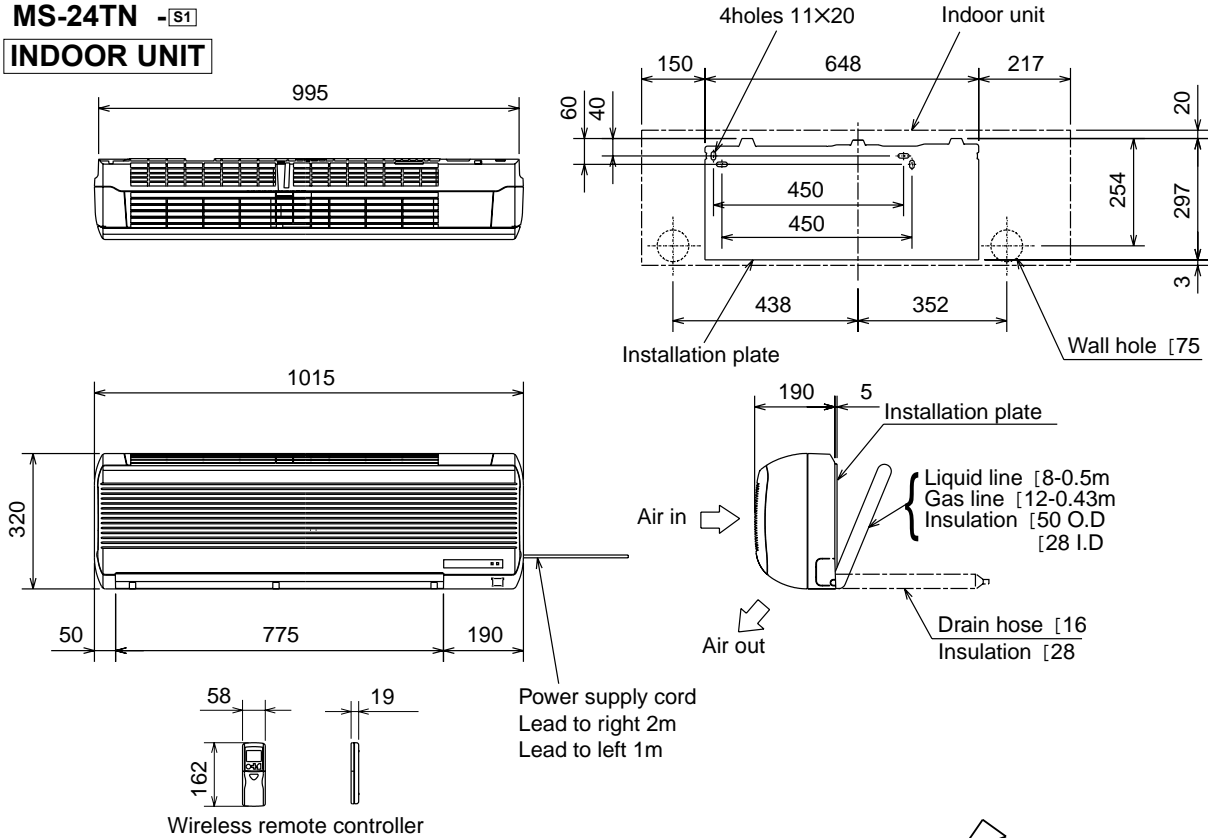
OUTLINES AND DIMENSIONS

MS-18TN -[S1]

MS-24TN -[S1]

Unit: mm

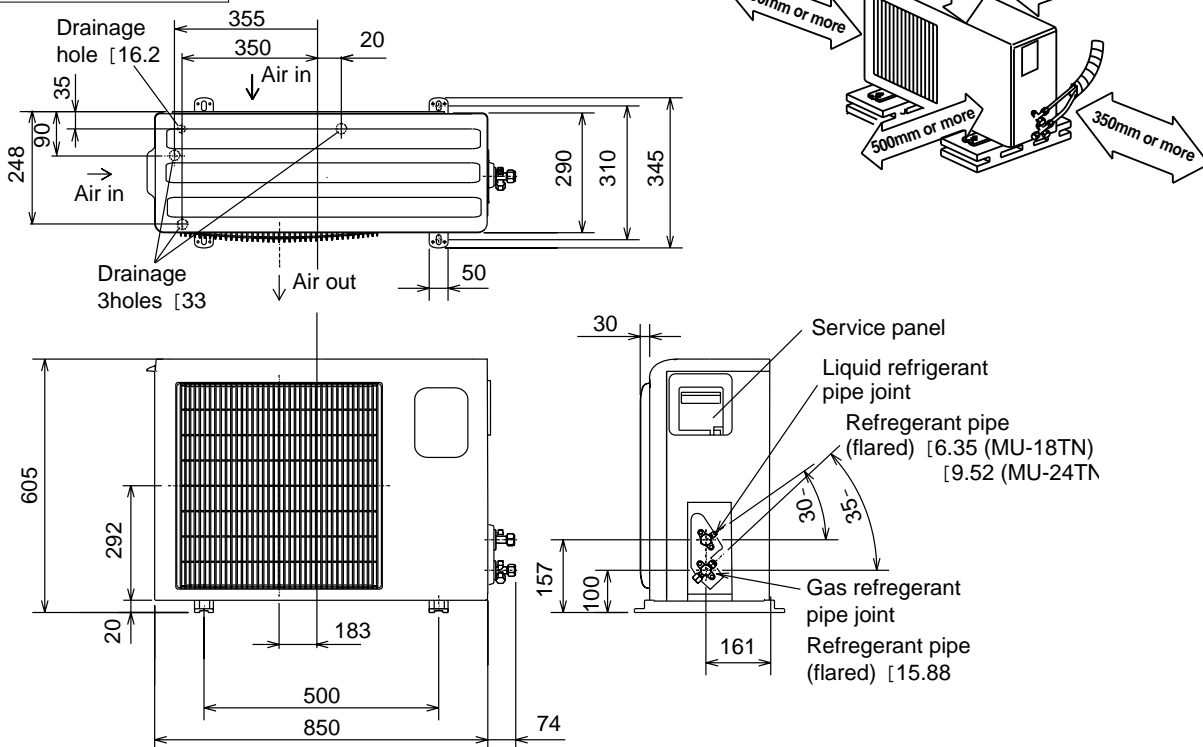
INDOOR UNIT



MU-18TN -[S1]

MU-24TN -[S1]

OUTDOOR UNIT



3

SPECIFICATION

Model	MS-18TN - [S1]	MS-24TN - [S1]
Function	Cooling	
Power supply	Single phase, 220V, 60Hz	

SSA 385/386 w

Capacity		kW	4.2	5.5
		kcal/h	3,600	4,700
Electrical data	Current	A	10.7	16.1
	Input	W	2,300	3,500

JIS C 9612(ISO 5151)

Capacity	Capacity	kW	5.1	6.6
	Dehumidification	ℓ/h	2.5	3.5
	Air flow	ℓ/h	780	840
Electrical data	Current	A	8.9	13.5
	Input	W	1,910	2,930
	Power factor	%	98	99
	Starting current	A	55	56
	Compressor motor current	A	8.15	12.58
	Indoor fan motor current	A	0.26	0.29
	Outdoor fan motor current	A	0.49	0.63
Coefficient of performance (COP)			2.67	2.25

Compressor	Model		—	NH-28NCDT	NH-38NBDT
	Output		W	1,200	1,700
Dimensions	Indoor unit	Width	mm(in.)	1,015(39-15/16)	1,015(39-15/16)
		Height	mm(in.)	320(12-5/8)	320(12-5/8)
		Depth	mm(in.)	190(7-1/2)	190(7-1/2)
	Outdoor unit	Width	mm(in.)	850(33-7/16)	850(33-7/16)
		Height	mm(in.)	605(23-13/16)	605(23-13/16)
		Depth	mm(in.)	290(11-7/16)	290(11-7/16)
Weight	Indoor unit		kg(lb.)	14(31)	14(31)
	Outdoor unit		kg(lb.)	55(121)	61(135)
Special remarks	Air direction	Indoor unit	—	5	5
	Fan speed (High)	Indoor unit	rpm	1,180	1,260
		Outdoor unit	rpm	865	930
	Fan speed regulator	Indoor unit		3	3
		Outdoor unit		1	2
	Refrigerant filling capacity (R22)			kg(lb.)	1.65(3.64)

Rating conditions : SSA 385/386 -Indoor DB29: WB19:, Outdoor DB46: WB24:

JIS C 9612 -Indoor DB27: WB19:, Outdoor DB35: WB (24:)

w SSA 385/386 can be applied only to Saudi Arabia.